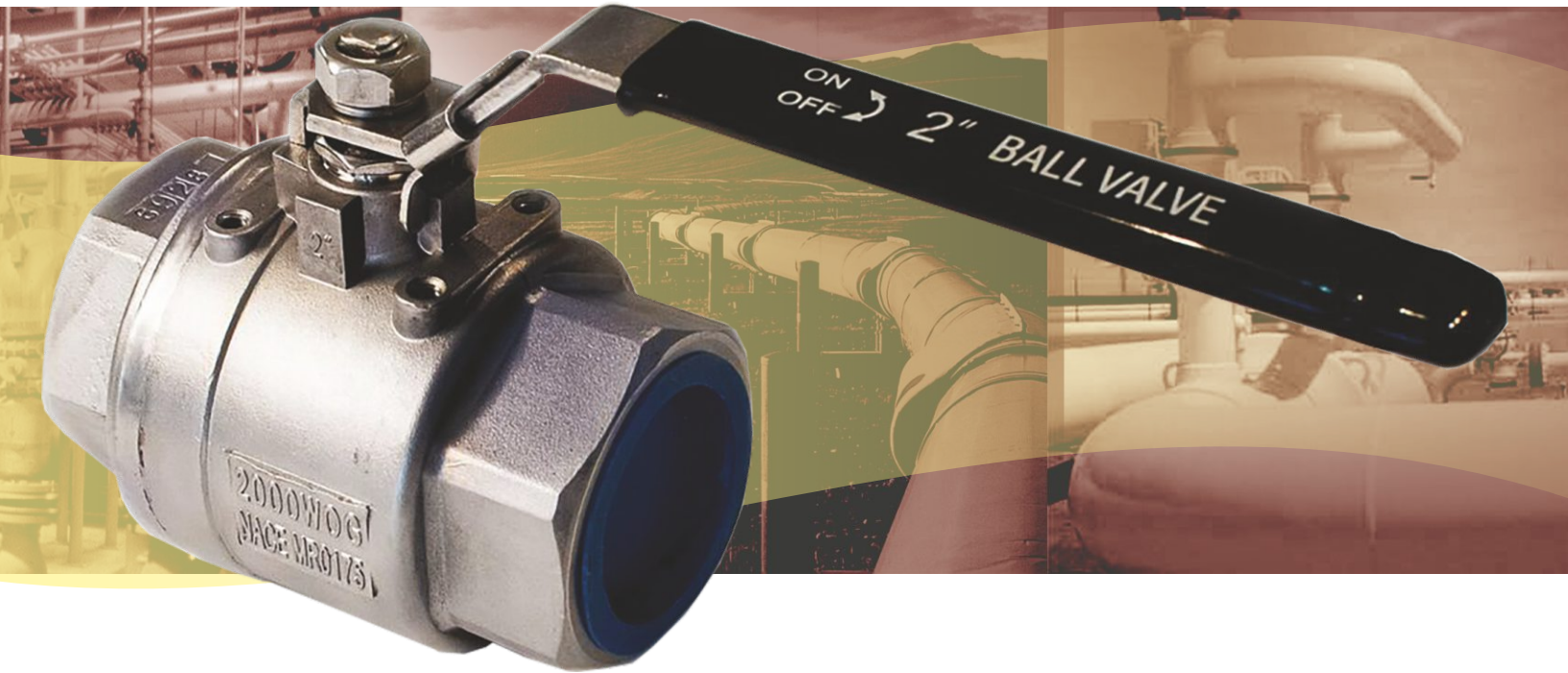


# DeVal<sup>®</sup> SERIES T

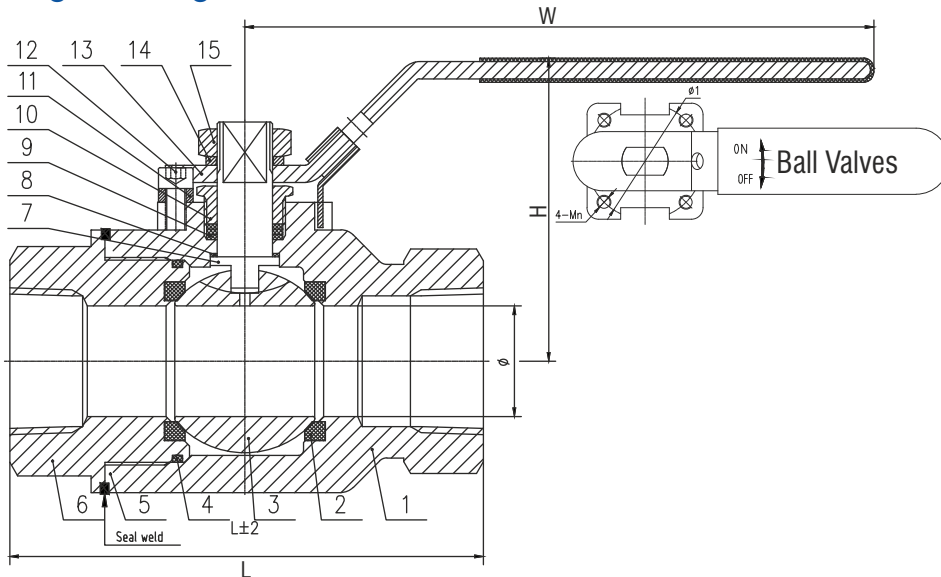
## Threaded Ball Valves



## Features

- + Seal Welded CF8M or WCB Body, Full Port, Screwed Ends
- + 316 SS Ball and Stem
- + Blowout Proof Stem / Floating Ball
- + Adjustable Packing
- + Locking Lever Handle
- + 2000 psi WOG / 3000 psi WOG / 6000 psi WOG  
1/4 in. - 2 in. (8 mm - 50 mm)
- + Fire Tested and Certified to API 607 5th Edition
- + Conforms to NACE MR0175/ISO 15156 Specifications
- + Full Port (only)

*Leading the Industry with Innovation by Design*



No.	Part	Material
15	Nut	A2-70
14*	Washer	SS
13	Handle	SS
12*	Pin Nut	A193 B7
11*	Pin Cover	SS
10	Gland	SS
9	Packing	Graphite/RPTFE
8	Thrust Washer	RPTFE
7	Stem	316 SS
6	Cap	CF8M/WCB
5*	Body Seal	RPTFE
4	O-Ring	VITON
3	Ball	316 SS
2	Seat	PEEK/RPTFE
1	Body	CF8M/WCB

\* 3000 psi & 6000 psi valves only

Dimensions Size In.	2000 Psi			3000 Psi			6000 Psi		
	L	W	H	L	W	H	L	W	H
1/4	2.36	2.17	3.94	3.86	2.36	5.77	4.37	2.36	5.79
1/2	2.95	2.36	4.72	3.86	2.36	5.79	4.37	2.36	5.79
3/4	3.19	2.36	6.10	4.25	2.80	7.56	4.37	2.36	5.99
1	3.58	2.95	6.10	5.39	3.46	7.28	5.39	3.58	10.08
1 1/4	4.33	3.15	6.10	5.39	3.70	8.98	5.39	3.74	10.08
1 1/2	4.72	3.74	7.28	6.30	4.53	10.55	6.30	5.12	14.57
2	5.51	4.33	7.28	6.30	5.43	11.81	6.30	5.12	14.57

## How to Order DelVal Series T Ball Valves

<b>Series</b>	<b>Size</b>	<b>Trim</b>	<b>Rating</b>	<b>Actuation</b>	<b>Options</b>
T2=2000 psi T3=3000 psi T6=6000 psi	025=1/4" 050=1/2" 075=3/4" 100=1" 125=1 1/4" 150=1 1/2" 200=2"	<b>Body</b> 3=A216 WCB 4=A351 CF8M <b>Ball</b> 4=316 SS	<b>Stem</b> 4=316 SS <b>Seat</b> R=RTFE P=PEEK	9=2000 psi T=3000 psi S=6000 psi L= Handle A= Pneumatic Actuator E = Electric Actuator	O= None

Size	Operating Torque (in lbs.)		
	2000	3000	6000
1/4	35	115	159
1/2	62	133	177
3/4	97	177	283
1	133	266	354
1 1/4	150	416	443
1 1/2	168	416	487
2	221	496	885

The breakaway torques are 2-3 times the operating torques.

All statements, technical information and recommendations in the bulletin are for general use only. DelVal Flow Controls is not responsible for suitability or compatibility of these products in relation to system requirements. Consult DelVal Flow Controls distributors or factory for the specific requirements and material selection for your intended application. DelVal Flow Controls reserves the right to change or modify product design or product without prior notice. DelVal® - Registered trademark of DelVal Flow Controls.

Distributor



**DelVal Flow Controls USA**

6068 Highway 73  
Geismar, LA 70734  
USA

Phone: (225) 744-4326  
Fax: (225) 744-4328

Email : sales@delvalflow.com

**DelVal Flow Controls India**

Office & Work : Gat. No. 25/1A,  
Kavathe, Post - Javale Tal. Khandala,  
Satara Dist., Pin - 412801,  
INDIA

Phone : +91-2169-241285  
Fax : +91-2169-241288

Email : salesindia@delvalflow.com