

DelVal[®] Series 64



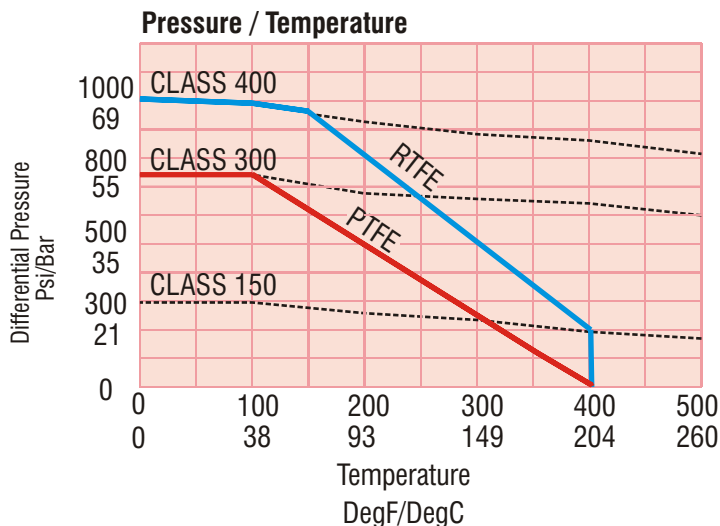
3-PC Industrial Process Ball Valves

Class 400(1000 WOG) 1/2"(DN 15) to 2" (DN50)

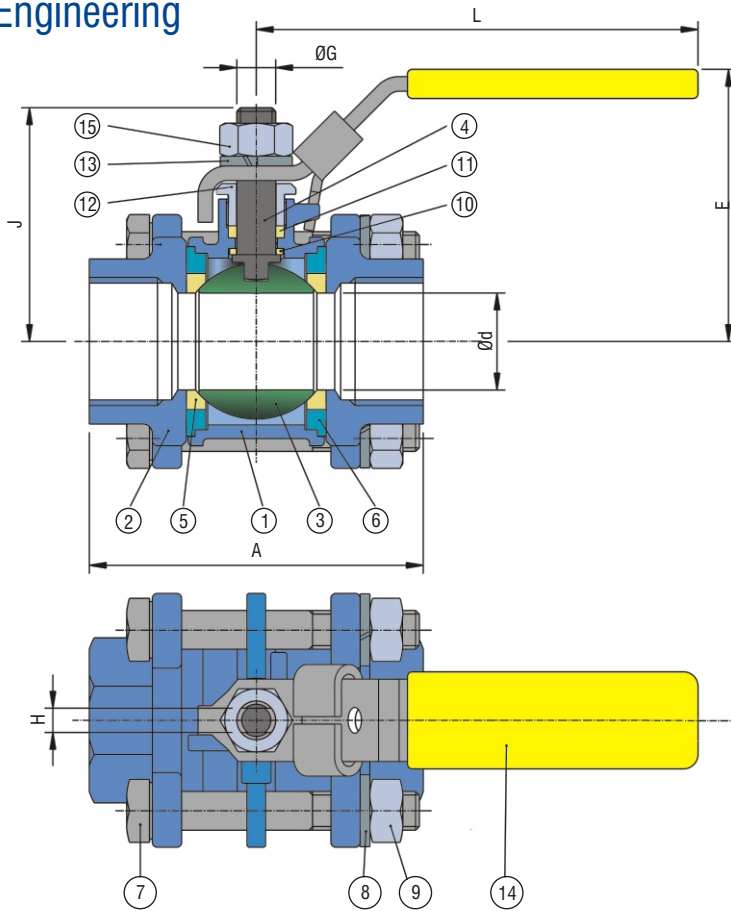
DelTech Controls is pleased to offer top-of-line product in pipeline flow control. The DelVal Series 64 Industrial Process Ball Valve have been developed with extensive application, design and manufacturing expertise. These products are produced by employing modern manufacturing practices under a robust quality assurance system. These practices ensure consistent product quality and dependable performance. The DelVal Series 64 Industrial Process Ball Valves have been designed to include state of-the-art features that are described in this bulletin.

FEATURES:

- 1) 3PC body construction allows easy maintenance and replacement of seat without removing valve from pipe.
- 2) Made by investment casting.
- 3) Blowout-proof stem design.
- 4) Pad-Lock locking device.
- 5) Anti-Static device as a standard.
- 6) End Connections
 - ❖ Threaded End
 - ◆ NPT - ASME B 1.20.1
 - ◆ BSPT - BS 21
 - ❖ Socket Weld
 - ❖ Butt Weld
 - ❖ Butt Weld with extension pups



Engineering



SR.NO.	PART NAME	CARBON STEEL	STAINLESS STEEL
1	Body	Carbon Steel	Stainless Steel
2	End Connector	Carbon Steel	Stainless Steel
3	Ball	316/304 Stainless Steel	
4	Stem	316/304 Stainless Steel	
5	Seat	PTFE / RTFE	
6	Body Seal	PTFE	
7	Hex Bolt	ASTM A193 GR.B8M	
8	Lock Washer	Stainless Steel	
9	Nut	ASTM A194 GR.8M	
10	Stem Bearing	PTFE	
11	Stem Packing	PTFE	
12	Gland Nut	Stainless Steel	
13	Lock Washer	Stainless Steel	
14	Handle	Carbon Steel	
15	Stem Nut	Stainless Steel	

Dimensions (mm)

Size	DN 15 / 1/2"			DN 20 / 3/4"		DN 25 / 1"		DN 32 / 1-1/4"		DN 40 / 1-1/2"		DN 50 / 2"	
	FB	FB	RB	FB	RB	FB	RB	FB	RB	FB	RB	FB	RB
A	63.5	68	68	79	79	90	90	107.5	107.5	129	129		
ØG	8	8	8	10	8	10	10	14	10	14	14		
H	5	5	5	6	5	6	6	10	6	10	10		
J	42.5	48	42.5	57.5	48	63	57.5	74	63	88	74		
Ød	15	20	15	25	20	32	25	38	32	50	38		
ØK	21.7	27	27	33.8	33.8	42.5	42.5	48.6	48.6	61.1	61.1		
L	101	101	101	144	101	144	144	198	144	198	198		
E	53.5	56	53.5	74.5	56	80	74.5	93.5	80	102.5	93.5		
Weight (Kg)	0.53	0.79	0.70	1.42	1.3	3.4	2.3	4.5	3.2	7.5	6		
Torque (Nm)	7	10	7	15	10	26	15	34	26	45	34		

Dimensions (Inch)

Size	DN 15 / 1/2"			DN 20 / 3/4"		DN 25 / 1"		DN 32 / 1-1/4"		DN 40 / 1-1/2"		DN 50 / 2"	
	FB	FB	RB	FB	RB	FB	RB	FB	RB	FB	RB	FB	RB
A	2.5	2.7	2.7	3.1	3.1	3.5	3.5	4.2	4.2	5.0	5.0		
ØG	0.31	0.31	0.31	0.39	0.31	0.39	0.39	0.55	0.39	0.55	0.55		
H	0.19	0.19	0.19	0.23	0.19	0.23	0.23	0.39	0.23	0.39	0.39		
J	1.7	1.9	1.7	2.3	1.9	2.4	2.3	3.0	2.4	3.4	2.9		
Ød	0.59	0.78	0.59	0.98	0.79	1.26	0.98	1.49	1.26	1.96	1.49		
ØK	0.85	1.06	1.06	1.33	1.33	1.67	1.67	1.91	1.91	2.40	2.40		
L	4.0	4.0	4.0	5.7	4.0	5.7	5.7	7.8	5.7	7.8	7.8		
E	2.1	2.2	2.1	2.9	2.2	3.1	2.9	3.7	3.1	4.0	3.7		
Weight (lbs)	1.16	1.74	1.54	3.12	2.86	7.49	5.06	9.91	7.05	16.53	13.22		
Torque (lb-in)	62	89	62	133	89	230	133	301	230	398	301		

Distributor



DelTech Controls LLC

6068 Highway 73
Geismar, LA 70734
USA

Phone: (225) 744-4326

Fax: (225) 744-4328

Email: sales@deltechcontrols.com

DelVal Flow Controls Pvt. Ltd.

(Joint venture with DelTech Controls LLC, USA)
Office & Works : Gat. No 625/1/2,
Kuruli, Tal. Khed, Pune-Nasik Highway,
Pune 410501, INDIA

Phone: +91-2135-662700

Fax: +91-2135-662727

Email: salesindia@deltechcontrols.com